

INSTALLER'S GUIDE

ALL phases of this installation must comply with NATIONAL, STATE AND LOCAL CODES

Condensing Units Models: 2A7A3018-060A

IMPORTANT — This Document is **customer property** and is to remain with this unit. Please return to service information pack upon completion of work.

These instructions do not cover all variations in systems nor provide for every possible contingency to be met in connection with installation. All phases of this installation must comply with NATIONAL, STATE AND LOCAL CODES. Should further information be desired or should particular problems arise which are not covered sufficiently for the purchaser's purposes, the matter should be referred to your installing dealer or local distributor.

A. GENERAL

⚠ WARNING: This information is intended for use by individuals possessing adequate backgrounds of electrical and mechanical experience. Any attempt to repair a central air conditioning product may result in personal injury and or property damage. The manufacturer or seller cannot be responsible for the interpretation of this information, nor can it assume any liability in connection with its use.

NOTE: AMERICAN STANDARD HEATING & AIR CONDITIONING HAS ALWAYS RECOMMENDED INSTALLING MANUFACTURER APPROVED MATCHED INDOOR AND OUTDOOR SYSTEMS.

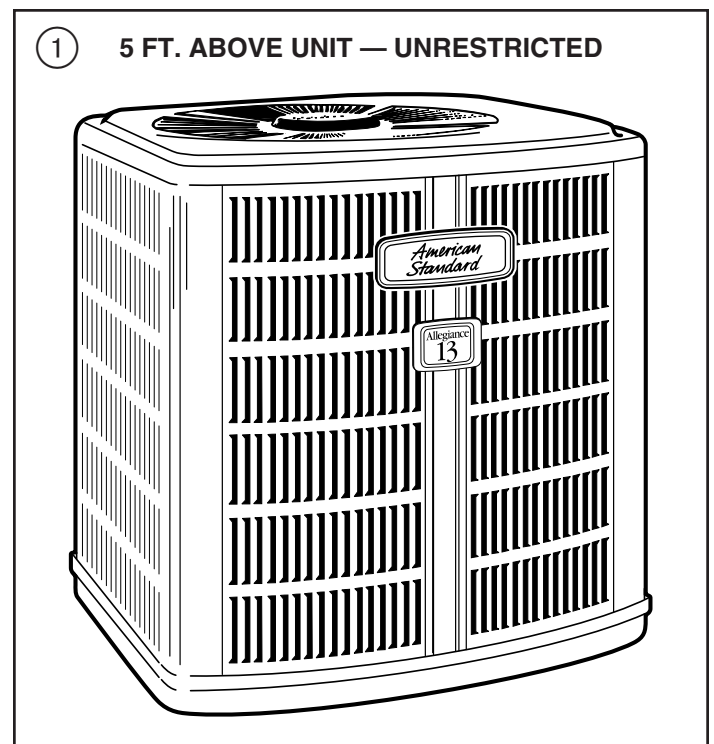
THE BENEFITS OF INSTALLING APPROVED MATCHED SYSTEMS ARE MAXIMUM EFFICIENCY, OPTIMUM PERFORMANCE AND BEST OVERALL SYSTEM RELIABILITY.

Check for transportation damage after unit is uncrated. Report promptly, to the carrier, any damage found to the unit.

To determine the electrical power requirements of the unit, refer to the nameplate of the unit. The electrical power available must agree with that listed on the nameplate.

B. LOCATION AND PREPARATION OF THE UNIT

1. When removing unit from the pallet, notice the tabs on the basepan. Remove tabs by cutting with a sharp tool as shown in Figure 2 (see page 2).
2. The unit should be set on a level support pad at least as large as the unit base pan, such as a concrete slab. If this is not the application used please reference ALG-APG0*-EN (*latest revision number).
3. The support pad must NOT be in direct contact with any structure. Unit must be positioned a minimum of 12" from any wall or surrounding shrubbery to insure adequate airflow.



Clearance must be provided in front of control box (access panels) & any other side requiring service access to meet National Electrical Code. Also, the unit location must be far enough away from any structure to prevent excess roof run-off water from pouring directly on the unit. When choosing the location of the unit(s), sound transmission through air and refrigerant lineset should be taken into consideration. It is recommended to locate unit(s) away from areas (bedrooms, etc.) where such sound could be objectionable.

4. The top discharge area must be unrestricted for at least five (5) feet above the unit.
5. When the outdoor unit is mounted on a roof, be sure the roof will support the unit's weight. Properly selected isolation is recommended to prevent transmission to the building structure.
6. The maximum length of refrigerant lines from outdoor to indoor unit should NOT exceed sixty (60) feet.

INSTALLER'S GUIDE



7. If outdoor unit is mounted above the air handler, maximum lift should not exceed sixty (60) feet (suction line). If air handler is mounted above condensing unit, maximum lift should not exceed sixty (60) feet (liquid line).

8. Locate and install indoor coil or air handler in accordance with instruction included with that unit.

NOTE: Refer to “Refrigerant Piping Software” Pub. No. 32-3312-0*, and “Refrigerant Piping Manual” Pub. No. 32-3009-0* (the position of the * denotes latest revision number).

C. INSTALLING REFRIGERANT LINES

CAUTION: If using existing refrigerant lines make certain that all joints are brazed, not soldered.

Condensing units have provisions for braze connections.

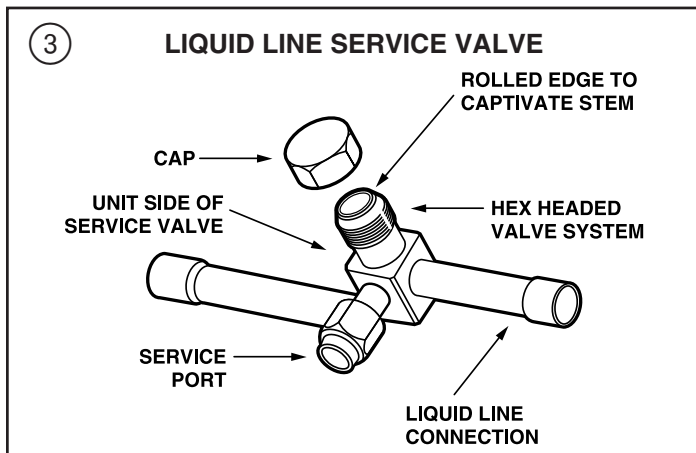
Pressure taps are provided on the service valves of outdoor unit for compressor suction and liquid pressures.

The indoor end of the recommended refrigerant line sets may be straight or with a 90 degree bend, depending upon situation requirements. This should be thoroughly checked out before ordering refrigerant line sets.

The gas line must always be insulated.

CAUTION: In scroll compressor applications, dome temperatures may be hot. Do not touch top of compressor, may cause minor to severe burning.

The units are factory charged with the system charge required when using fifteen (15) feet of rated connecting line. Unit nameplate charge is the same.



Final refrigerant charge adjustment is necessary. Use the Charging Information on page 6 or in the outdoor unit Service Facts.

1. Determine the most practical way to run the lines.
2. Consider types of bends to be made and space limitations.

NOTE: Large diameter tubing will be very difficult to rebend once it has been shaped.

3. Determine the best starting point for routing the refrigerant tubing — INSIDE OR OUTSIDE THE STRUCTURE.

4. Provide a pull-thru hole of sufficient size to allow both liquid and gas lines.

5. Be sure the tubing is of sufficient length.

6. Uncoil the tubing — do not kink or dent.

7. Route the tubing making all required bends and properly secure the tubing before making connections.

8. To prevent a noise within the building structure due to vibration transmission from the refrigerant lines, the following precautions should be taken:

- a. When the refrigerant lines have to be fastened to floor joists or other framing in a structure, use isolation type hangers.

- b. Isolation hangers should also be used when refrigerant lines are run in stud spaces or enclosed ceilings.

- c. Where the refrigerant lines run through a wall or sill, they should be insulated and isolated.

- d. Isolate the lines from all ductwork.

D. SERVICE VALVE OPERATION

BRASS LIQUID AND GAS LINE SERVICE VALVES

The Brass Liquid and Gas Line Service Valves are factory shipped in the seated position to hold factory charge. The pressure tap service port (when depressed) opens only to the field brazing side of the valve when the valve is in the seated position. The liquid line valve is **not** a back seating valve (see **WARNING** below).

WARNING: Extreme caution should be exercised when opening the Liquid and Gas Line Service Valves. Turn valve stem counterclockwise only until the stem contacts the rolled edge. (See Figures 3 and 5) No torque is required.

BRASS GAS LINE BALL SERVICE VALVE

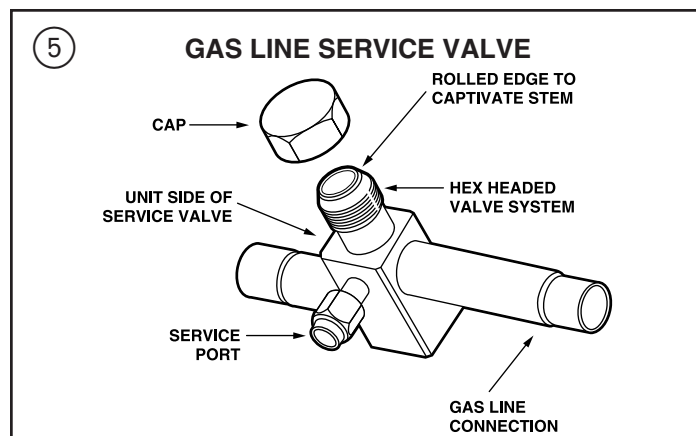
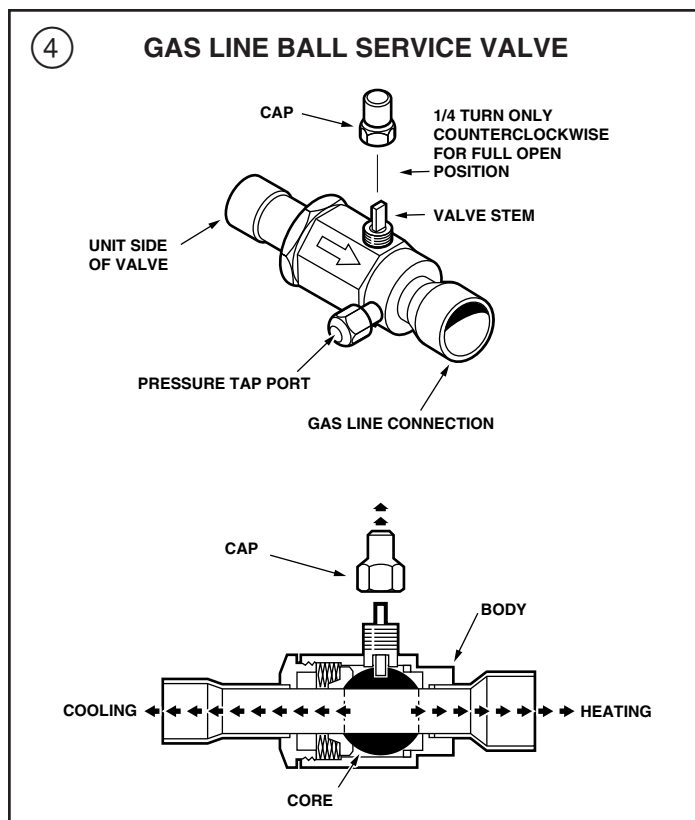
The Brass Gas Line Ball Service Valve is shipped in the closed position to hold the factory refrigerant charge. The pressure tap service port (when depressed) opens only to the field brazing side when the valve is in the closed position.

The Gas Line Service Valve is full open with a 1/4 turn. See Figure 4.

BRAZING REFRIGERANT LINES

1. Remove lower access cover to access service valves.
2. Before brazing, remove plugs from external copper stub tubes. Clean internal and external surfaces of stub tubes prior to brazing.

INSTALLER'S GUIDE



SYSTEM EVACUATION

NOTE: Since the outdoor unit has a refrigerant charge, the gas and liquid line valves must remain closed.

1. Upon completion of leak check, evacuate the refrigerant lines and indoor coil before opening the gas and liquid line valves.
2. Attach appropriate hoses from manifold gauge to gas and liquid line pressure taps.

NOTE: Unnecessary switching of hoses can be avoided and complete evacuation of all lines leading to sealed system can be accomplished with manifold center hose and connecting branch hose to a cylinder of HCFC-22 and vacuum pump.

3. Attach center hose of manifold gauges to vacuum pump.
4. Evacuate until the micron gauge reads no higher than 350 microns.
5. Close off valve to vacuum pump and observe the micron gauge. If gauge pressure rises above 500 microns in one (1) minute, then evacuation is incomplete or system has a leak.
6. If vacuum gauge does not rise above 500 microns in one (1) minute, the evacuation should be complete.
7. With vacuum pump and micron gauge blanked off, open valve on HCFC-22 cylinder and charge refrigerant lines and indoor coil with vapor to tank pressure of HCFC-22 supply.

NOTE: DO NOT VENT REFRIGERANT INTO THE ATMOSPHERE.

8. Close valve on HCFC-22 supply cylinder. Close valves on manifold gauge set and remove refrigerant charging hoses from liquid and gas pressure tap ports.

NOTE: A 3/16" Allen wrench is required to open liquid line service valve. A 1/4" Open End or Adjustable wrench is required to open gas line valve. A 3/4" Open End wrench is required to take off the valve stem cap.

9. The liquid line shut-off valve can now be opened. Remove shut-off valve cap. Fully insert hex wrench into the stem and back out counterclockwise until valve stem just touches rolled edge (approximately five [5] turns) observing **WARNING** statement on page 2. See Figure 3.

10. Replace liquid service pressure tap port cap and valve stem cap. These caps **MUST BE REPLACED** to prevent leaks. Replace valve stem and pressure tap cap finger tight, then tighten an additional 1/6 turn.

3. Cut and fit tubing, minimizing the use of sharp 90° bends.
4. Insulate the entire gas line and its fittings.
5. Do **NOT** allow uninsulated liquid line to come in direct contact with bare gas line.
6. **Precautions should be taken to avoid heat damage to the pressure tap valve core during brazing. It is recommended that the pressure tap port valve core be removed and a wet rag wrapped around the valve body.**

NOTICE: Use care to make sure that no moisture enters pressure tap port, while wet rag is being used.

NOTICE: Precautions should be taken to avoid heat damage to basepan during brazing. It is recommended to keep the flame directly off of the basepan.

7. Use a Dry Nitrogen Purge and Brazing Alloy without flux when brazing the field line to the copper factory connection. Flow dry nitrogen into either valve pressure tap port, thru the tubing and out the other port while brazing.

8. Braze using accepted good brazing techniques.

LEAK CHECK

IMPORTANT: Replace pressure tap port valve core before attaching hoses for evacuation.

After the brazing operation of refrigerant lines to both the outdoor and indoor unit is completed, the field brazed connections must be checked for leaks. Pressurize through the service valve ports, the indoor unit and field refrigerant lines with dry nitrogen to 350-400 psi. Use soap bubbles or other leak-checking methods to see that all field joints are leak-free! If not, **release pressure**; then repair!

INSTALLER'S GUIDE

11. The gas valve can now be opened. For a ball type gas valve, open the gas valve by removing the shut-off valve cap and turning the valve stem 1/4 turn counterclockwise, using 1/4" Open End or Adjustable wrench. See Figure 4. For brass gas line service valve opening, follow 9 and 10 above. See Figure 5.

12. The gas valve is now open for refrigerant flow. Replace valve stem cap to prevent leaks. Again, these caps **MUST BE REPLACED** to prevent leaks. Replace valve stem and pressure tap cap finger tight, then tighten an additional 1/6 turn. See Figure 4.

If refrigerant lines are longer than 15 feet and/or a different size than recommended, it will be necessary to adjust system refrigerant charge upon completion of installation. See page 6 or the unit Service Facts.

E. ELECTRICAL CONNECTIONS

⚠ WARNING: When installing or servicing this equipment, ALWAYS exercise basic safety precautions to avoid the possibility of electric shock.

1. Power wiring and grounding of equipment must comply with local codes.
2. Power supply must agree with equipment nameplate.
3. Install a separate disconnect switch at the outdoor unit.
4. Ground the outdoor unit per local code requirements.
5. Provide flexible electrical conduit whenever vibration transmission may create a noise problem within the structure.
6. The use of color coded low voltage wire is recommended to simplify connections between the outdoor unit, the thermostat and the indoor unit.

Table 1 — NEC Class II Wiring

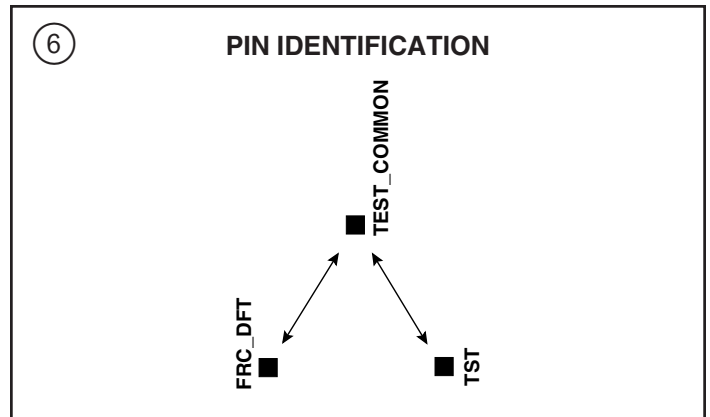
24 VOLTS	
WIRE SIZE	MAX. WIRE LENGTH
18 AWG	150 FT
16 AWG	225 FT.
14 AWG	300 FT.

7. Table 1 defines maximum **total** length of low voltage wiring from outdoor unit, to indoor unit, and to thermostat.

8. Mount the indoor thermostat in accordance with instruction included with the thermostat. Wire per appropriate hookup diagram (included in these instructions).

F. COMPRESSOR START-UP

After all electrical wiring is complete, SET THE THERMOSTAT SYSTEM SWITCH IN THE OFF POSITION SO COMPRESSOR WILL NOT RUN, and apply power by closing the system main disconnect switch. This will activate the compressor pump heat (where used). Do not change the Thermostat System Switch until power has been applied for one (1) hour. Following this procedure will prevent potential compressor overload trip at the initial start-up.



G. OPERATIONAL AND CHECKOUT PROCEDURES

Final phases of this installation are the unit Operational and Checkout Procedures which are found in this instruction on page 8. To obtain proper performance, all units must be operated and charge adjustments made in accordance with procedures found on page 6 and in the Service Facts.

H. ELECTRIC HEATERS

Electric heaters, if used, are to be installed in the air handling device according to the instructions accompanying the air handler and the heaters.

I. OUTDOOR THERMOSTAT

An outdoor thermostat TAYSTAT250B may be field installed. For data, see wiring diagram attached to unit and instruction sheet packaged with outdoor thermostat.

J. SEACOAST SALT SHIELD

BAYSEAC001 (Seacoast Kit) is available for application on units installed within one mile of salt water, including sea-coasts and inland waterways.

K. TROUBLESHOOTING CHART

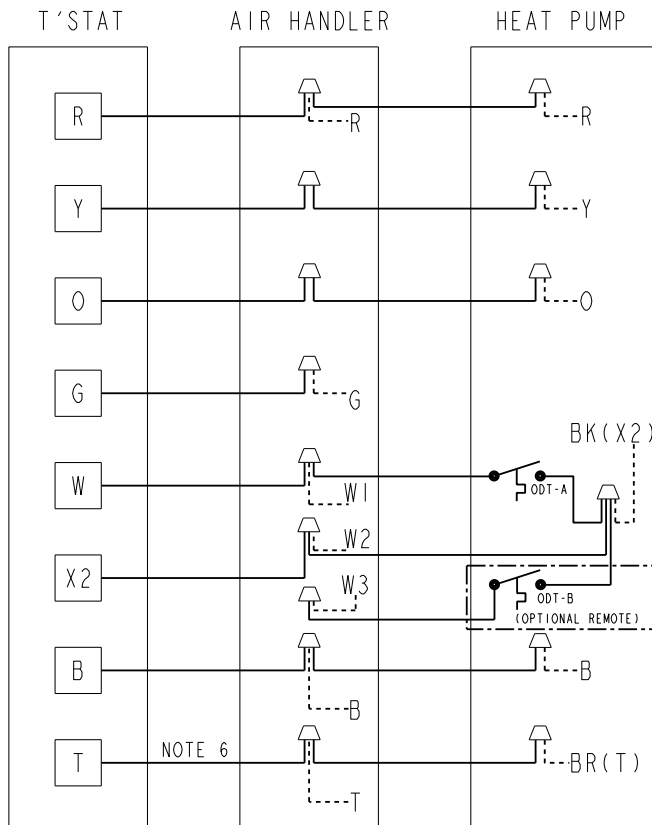
TROUBLESHOOTING CHART — WHAT TO CHECK

SYSTEM FAULTS	TROUBLESHOOTING CHART — WHAT TO CHECK																							
	HIGH VOLTAGE WIRING	POWER SUPPLY	LOW VOLTAGE WIRING	RUN CAPACITOR	START CAPACITOR	COMPRESSOR CONTACTS	START TRENCH	CONTROL TRANSFORMER	LOW VOLTAGE WIRING	CONTACTOR OIL	CONDENSER OIL	SYNCHRONOUS COMPRESSOR	REFRIGERANT OVERCHARGE	REFRIGERANT UNDERCHARGE	EXCESSIVE SLIP LOAD	NON-COMPRESSION	O.D. AIR CIRCULATION	RESTRICTED O.D. AIR FLOW	TXV SLIP OPEN	RESTRICTED O.D. AIR FLOW	RESTRICTED O.D. AIR FLOW	O.D. FAN SPEED SWITCH		
REFRIGERANT CIRCUIT																								
Liquid Pressure Too High																								
Liquid Pressure Too Low																								
Suction Pressure Too High																								
Suction Pressure Too Low																								
Liquid Refrig. Floodback TXV System																								
I.D. Coil Frosting																								
Compressor Runs Inadequate or No Cooling																								
ELECTRICAL																								
Compressor & O.D. Fan Do Not Start	P	P																						
Compressor Will Not Start But O.D. Fan Runs	P	S	P	P	P																			
O.D. Fan Won't Start	P		P																					
Compressor Hums But Won't Start	P		P	P	P	S																		
Compressor Cycles on IOL	P	S	P	P	P	S																		
I.D. Blower Won't Start	P	S																						

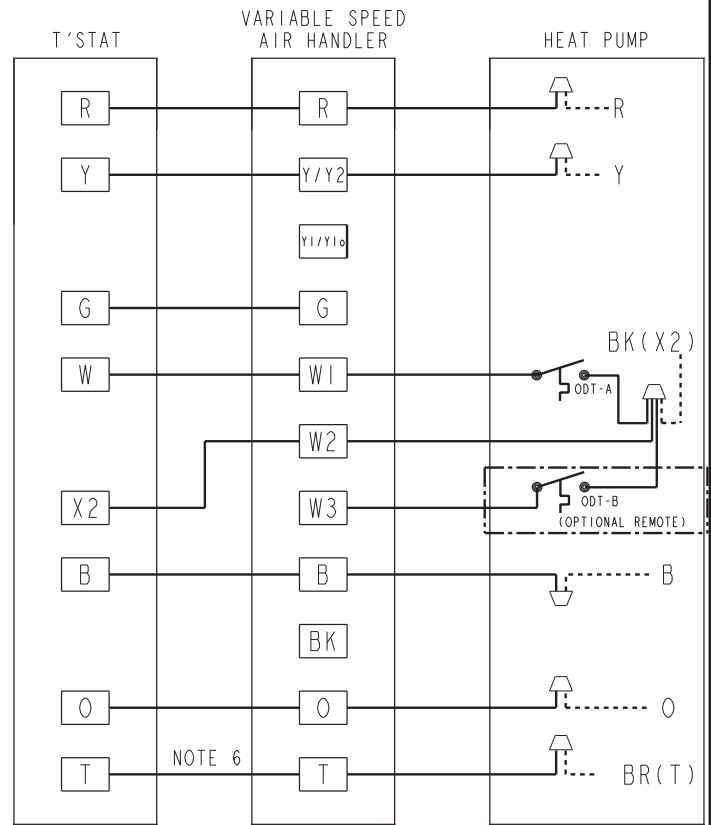
P - Primary Causes S - Secondary Causes

INSTALLER'S GUIDE

TYPICAL FIELD WIRING DIAGRAMS



PRINTED FROM B152904P03



PRINTED FROM B152934P04

Notes:

1. Be sure power supply agrees with equipment nameplate.
2. Power wiring and grounding of equipment must comply with local codes.
3. Low voltage wiring to be No. 18 AWG minimum conductor.
4. ODT-B must be set lower than ODT-A.
5. If outdoor thermostats (ODT) are not used, connect W1 to W2 and W3.
6. N/A to programmable thermostat.

LEGEND

- FACTORY WIRING
- FIELD WIRING

INSTALLER'S GUIDE

SUBCOOLING CHARGING IN COOLING ABOVE 55°F OD AMBIENT

American Standard Heating & Air Conditioning has always recommended installing manufacturer approved matched indoor and outdoor systems.

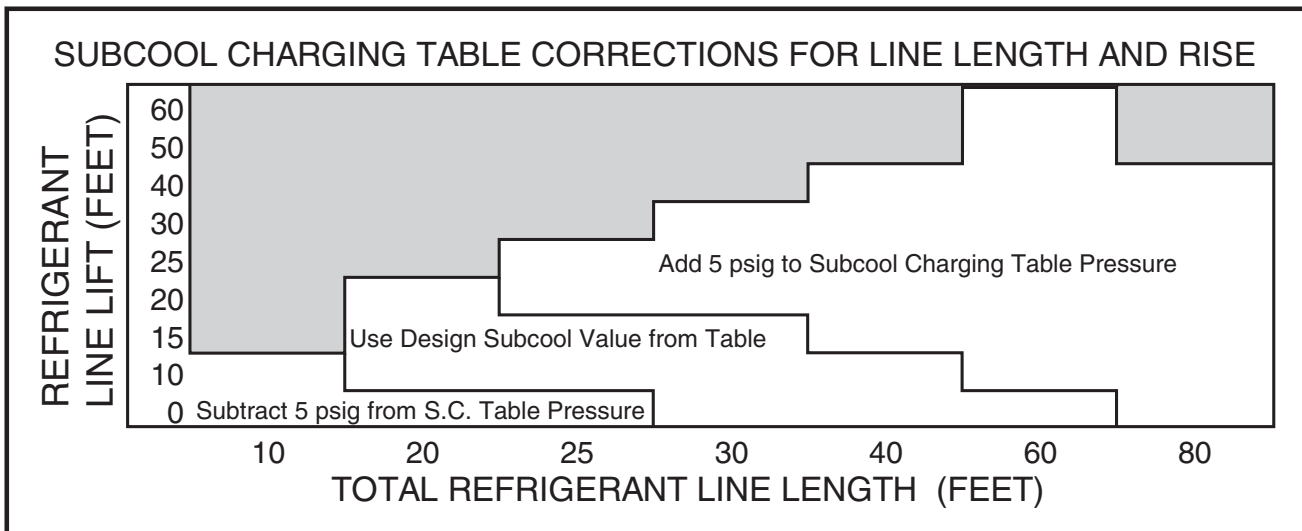
All 13 SEER split systems are ARI rated with only TXV indoor systems.

The benefits of installing approved indoor and outdoor split systems are maximum efficiency, optimum performance and the best overall system reliability.

The following charging methods are therefore prescribed for systems with indoor TXVs.

1. Subcooling (in the cooling mode) is the only recommended method of charging above 55°F ambient temperatures.
2. For best results - the indoor temperature should be kept between 70°F to 80°F. Add system heat if needed.
3. At start-up, or whenever charge is removed or added, the system must be operated for a minimum 20 minutes to stabilize before accurate measurements can be made.
4. Measure Liquid Line Temperature and Refrigerant Pressure at service valves.
5. Determine total refrigerant line length, and height (lift) if indoor section is above the condenser.
6. Determine the Design Subcool Charging Temperature from the unit nameplate.
7. Locate this value in the appropriate column of the Subcooling Charging Table. Locate your liquid line temperature in the left column of the table, and the intersecting liquid line pressure under your nameplate subcool value column. Add refrigerant to raise the pressure to match the table, or remove refrigerant to lower the pressure. Again, wait 20 minutes for the system conditions to stabilize before adjusting charge again.
8. When system is correctly charged, you can refer to System Pressure Curves (in Service Facts) to verify typical performance.

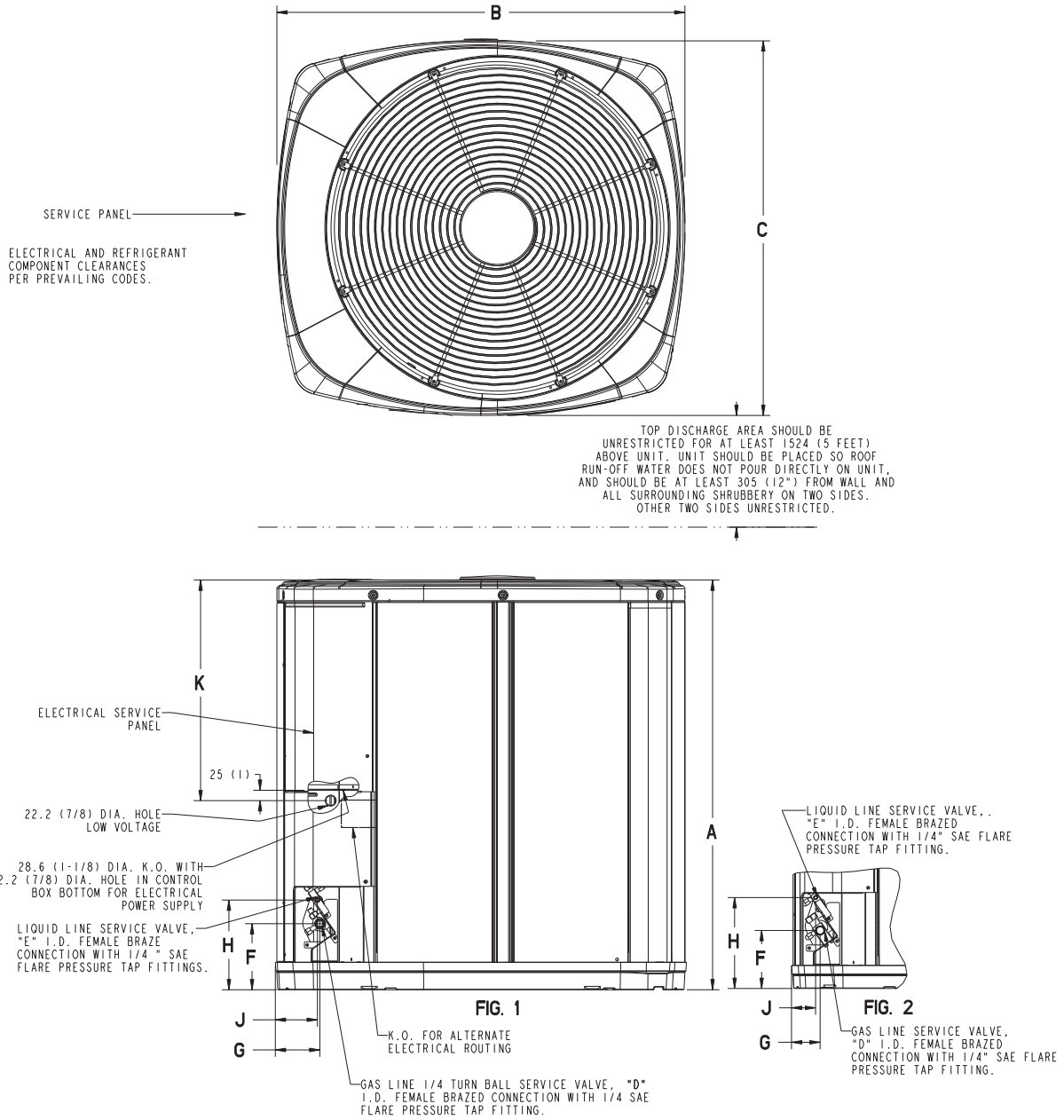
R-22 SUBCOOLING CHARGING TABLE				
LIQUID TEMP. (°F)	DESIGN SUBCOOLING VALUES (°F)			
	8	10	12	14
	LIQUID LINE PRESSURE (psi)			
45	89	93	96	100
50	98	102	105	109
55	107	111	115	119
60	117	121	126	130
65	128	132	137	141
70	139	144	148	153
75	151	156	161	166
80	163	168	174	179
85	176	182	187	193
90	190	196	202	208
95	205	211	217	223
100	220	226	233	239
105	236	243	249	256
110	253	260	267	274
115	271	278	285	293
120	289	297	305	313
125	309	317	325	333



INSTALLER'S GUIDE

2A7A3 OUTLINE DRAWING

NOTE: ALL DIMENSIONS ARE IN MM (INCHES).

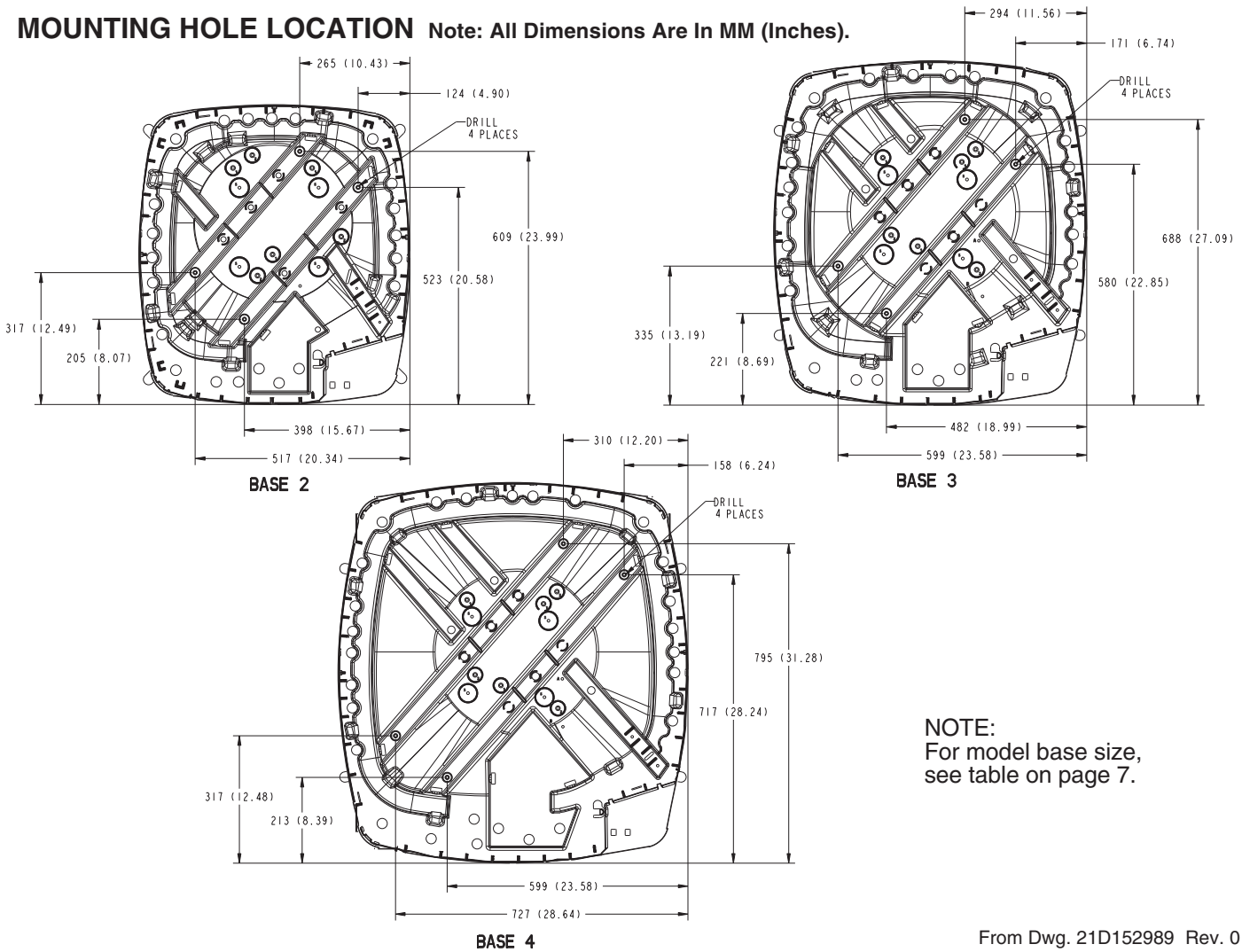


MODELS	BASE	FIG.	A	B	C	D	E	F	G	H	J	K
2A7A3018A	2	2	651 (25-5/8)	724 (28-1/2)	651 (25-5/8)	5/8	1/4	127 (5)	57 (2-1/4)	180 (7-1/8)	44 (1-3/4)	457 (18)
2A7A3024A	2	2	832 (32-3/4)	724 (28-1/2)	651 (25-5/8)	3/4	5/16	137 (5-3/8)	65 (2-5/8)	210 (8-1/4)	57 (2-1/4)	457 (18)
2A7A3030A	3	2	832 (32-3/4)	829 (32-5/8)	756 (29-3/4)	3/4	5/16	137 (5-3/8)	86 (3-3/8)	210 (8-1/4)	79 (3-1/8)	508 (20)
2A7A3036A	3	2	832 (32-3/4)	829 (32-5/8)	756 (29-3/4)	7/8	3/8	137 (5-3/8)	86 (3-3/8)	210 (8-1/4)	79 (3-1/8)	508 (20)
2A7A3042A	4	1	841 (33-1/8)	946 (37-1/4)	870 (34-1/4)	7/8	3/8	152 (6)	98 (3-7/8)	219 (8-5/8)	86 (3-3/8)	508 (20)
2A7A3048A	4	1	1045 (41-1/8)	946 (37-1/4)	870 (34-1/4)	1-1/8	3/8	152 (6)	98 (3-7/8)	219 (8-5/8)	86 (3-3/8)	508 (20)
2A7A3060A	4	1	1045 (41-1/8)	946 (37-1/4)	870 (34-1/4)	1-1/8	3/8	152 (6)	98 (3-7/8)	219 (8-5/8)	86 (3-3/8)	508 (20)

From Dwg. 21D152862 Rev. 18

INSTALLER'S GUIDE

MOUNTING HOLE LOCATION **Note: All Dimensions Are In MM (Inches).**



NOTE:
For model base size,
see table on page 7.

From Dwg. 21D152989 Rev. 0

CHECKOUT PROCEDURE

After installation has been completed, it is recommended that the entire system be checked against the following list:

- | | | | |
|--|-----|---|-----|
| 1. Refrigerant Line, Leak checked | [] | 8. Supply registers and return grilles
open and unobstructed | [] |
| 2. Suction Lines and Fittings properly insulated | [] | 9. Return air filter installed | [] |
| 3. Have all Refrigerant Lines been secured
and isolated properly? | [] | 10. Thermostat thermometer is accurate.
Check against a reliable thermometer.
Adjust per instructions with thermostat | [] |
| 4. Have passages through masonry been sealed?
If mortar is used, prevent mortar from coming into
direct contact with copper tubing | [] | 11. Is correct speed tap being used?
(Indoor blower motor) | [] |
| 5. Verify tightness of all electrical connects | [] | 12. Operate complete system in each mode
to insure safe operation. | [] |
| 6. Observe outdoor fan during on cycle for
clearance and smooth operation | [] | | |
| 7. Indoor coil drain line drains freely.
Pour water into drain pan | [] | | |

Technical Literature - Printed in U.S.A.

American Standard Heating & Air Conditioning
Troup Highway
Tyler, TX 75707

Pub. No. 11-AC18D1-4
02/09